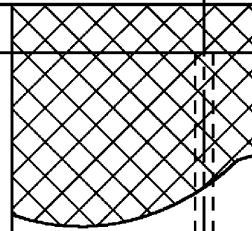
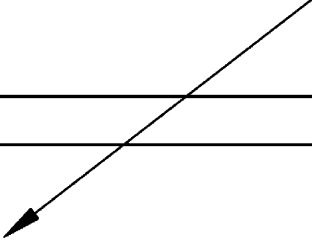


**Rib Positions**

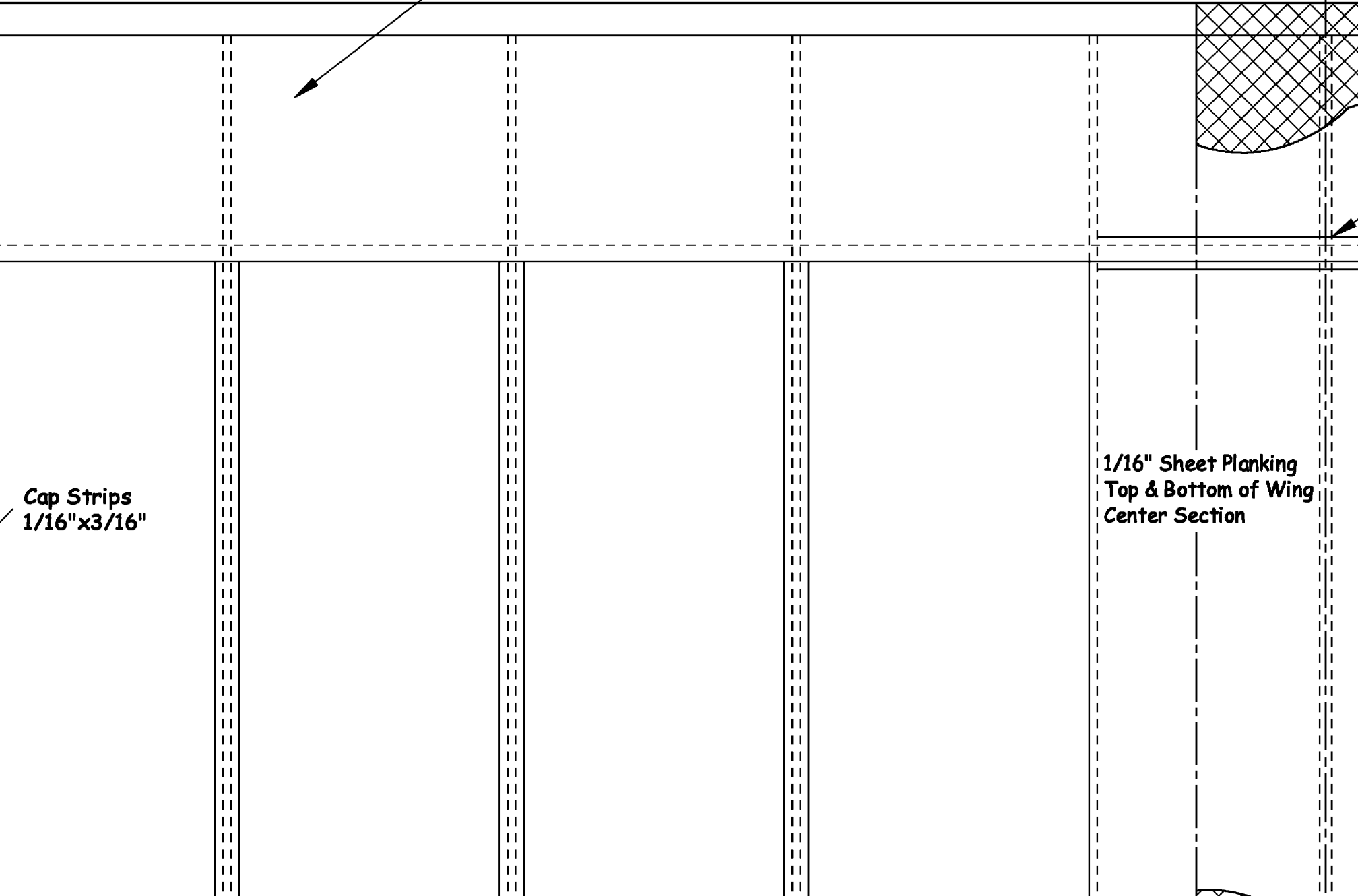
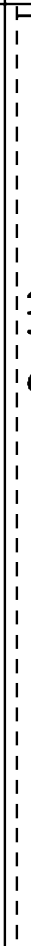
**1/16" Sheet Tips  
Top/Bottom**

L.E. Top Sheeting  
1/16" Balsa

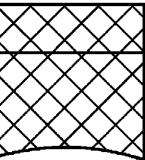


1/16" Sheet Planking  
Top & Bottom of Wing  
Center Section

Cap Strips  
1/16"x3/16"



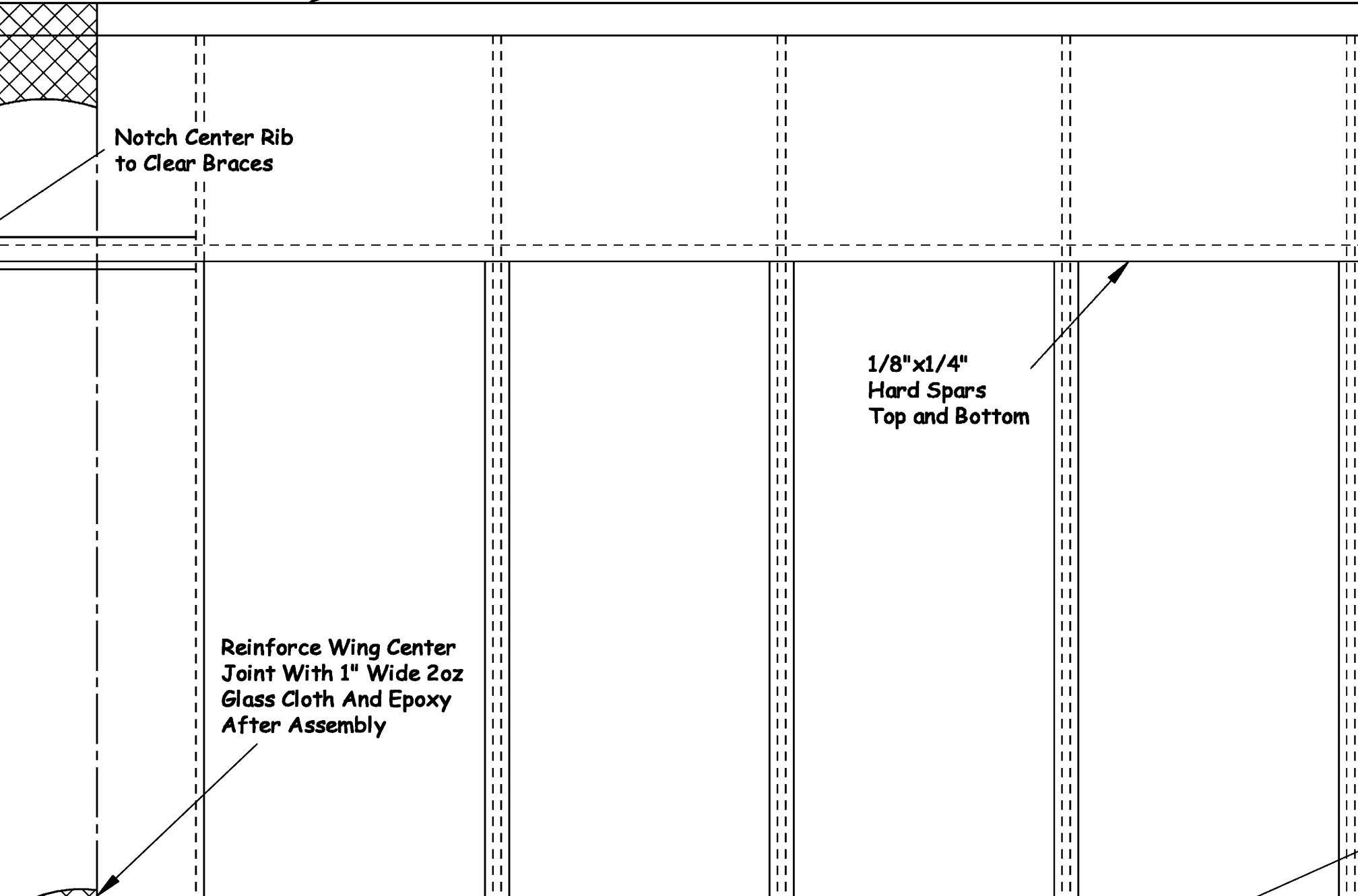
**1/4"x3/8" Hard Leading Edge**



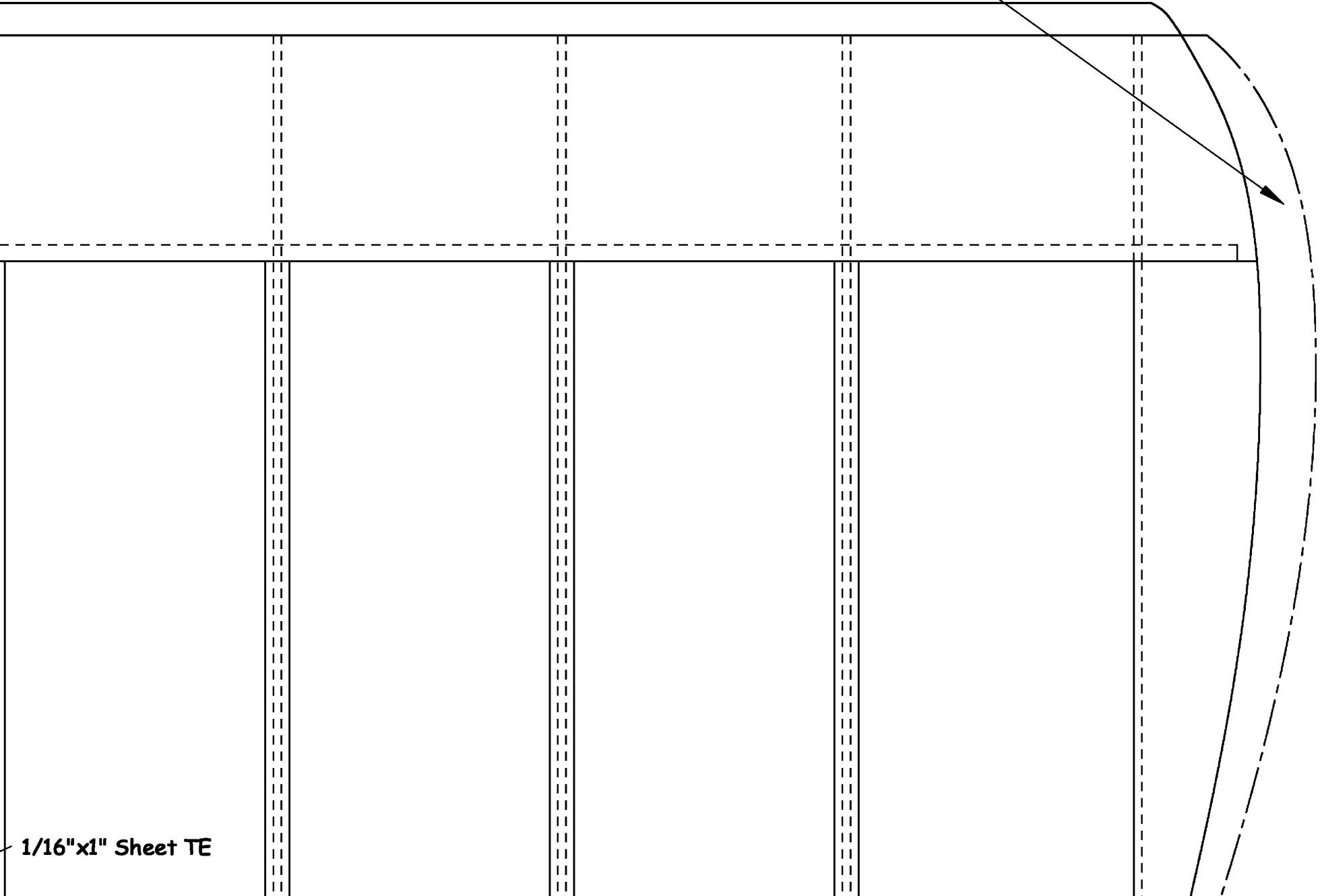
**Notch Center Rib  
to Clear Braces**

**1/8"x1/4"  
Hard Spars  
Top and Bottom**

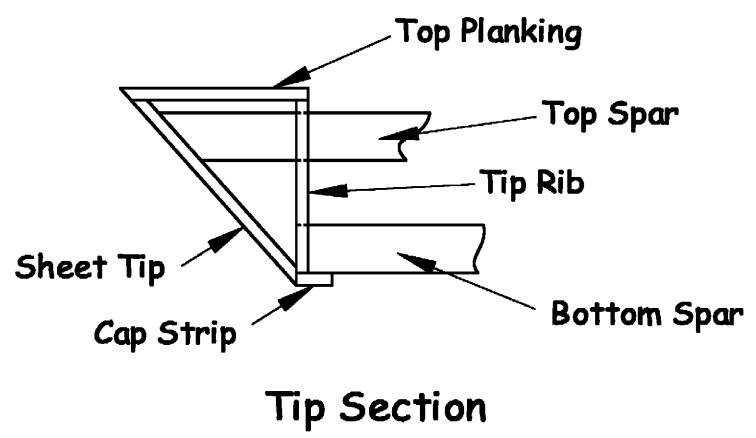
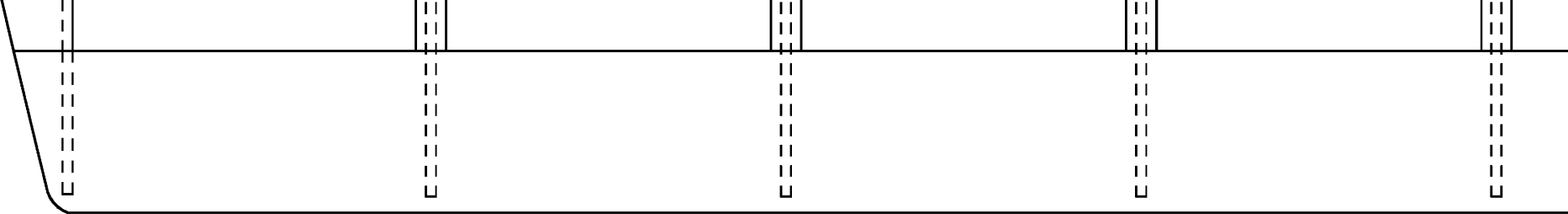
**Reinforce Wing Center  
Joint With 1" Wide 2oz  
Glass Cloth And Epoxy  
After Assembly**



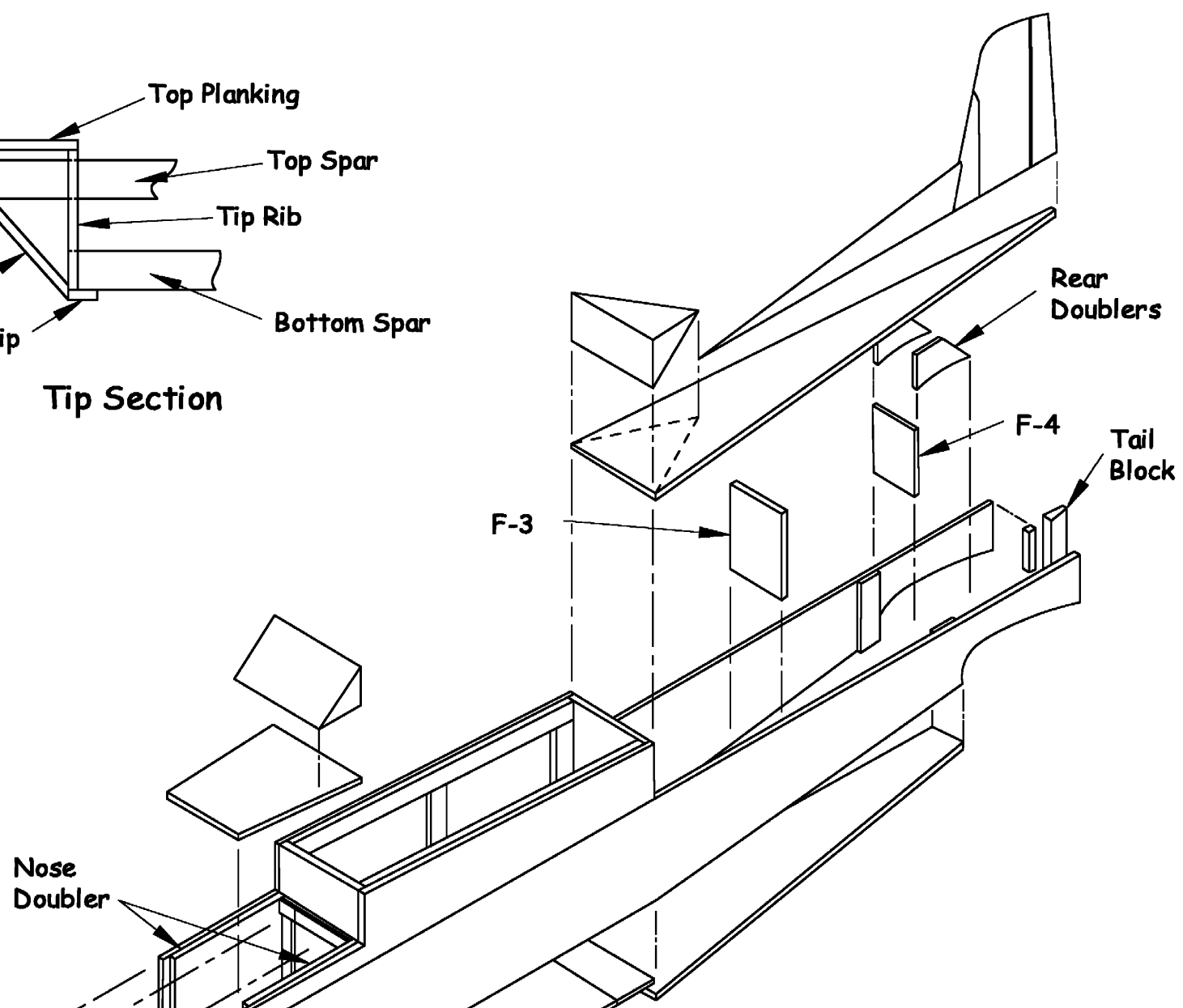
Rough Wingtip Pattern  
Sand and Plank Top Side

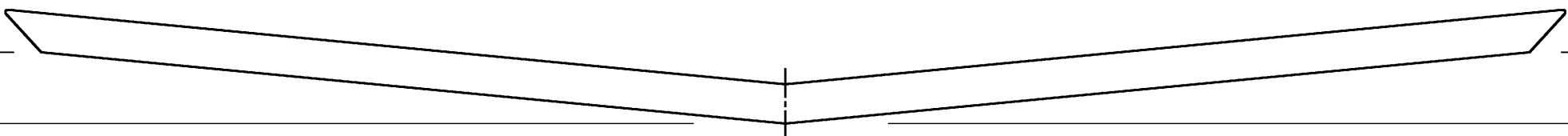
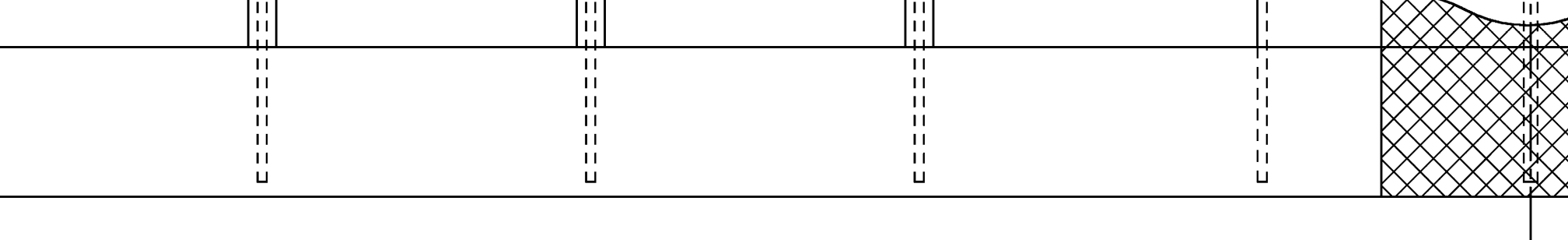


1/16"x1" Sheet TE

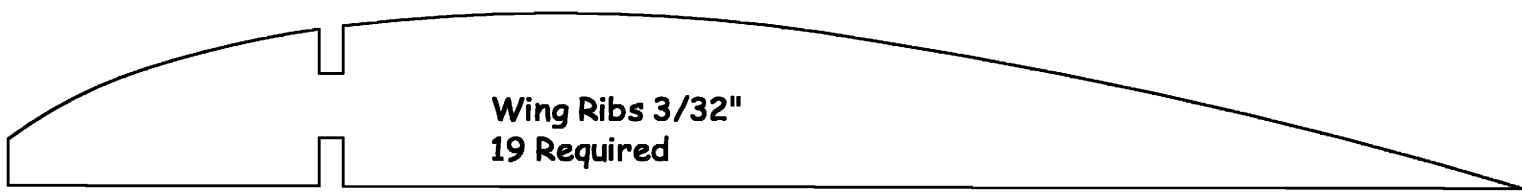


1-3/4"

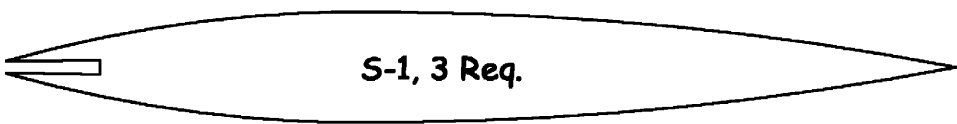




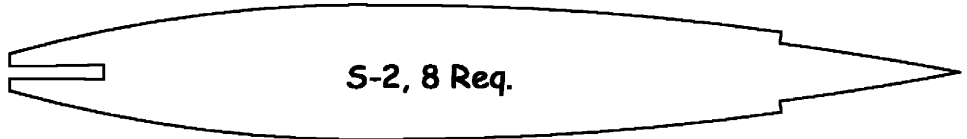
**Dihedral Dimensions**



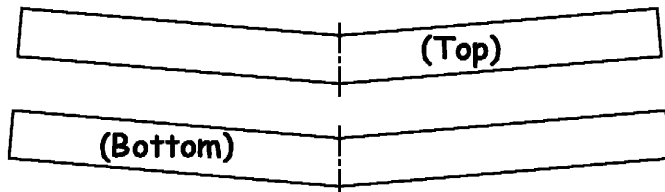
**Wing Ribs 3/32"  
19 Required**



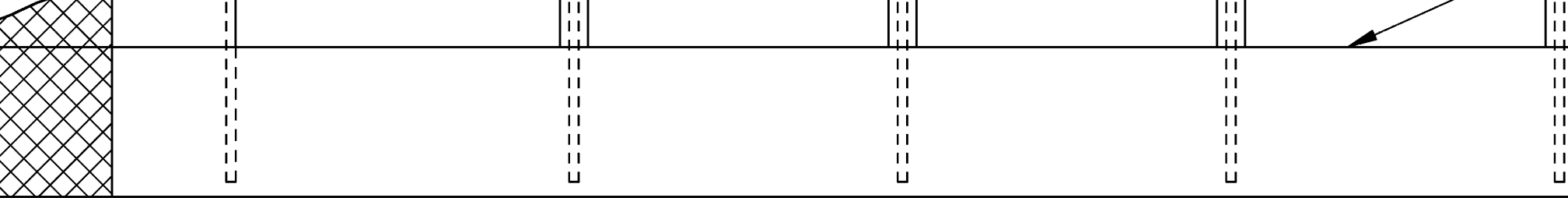
**S-1, 3 Req.**



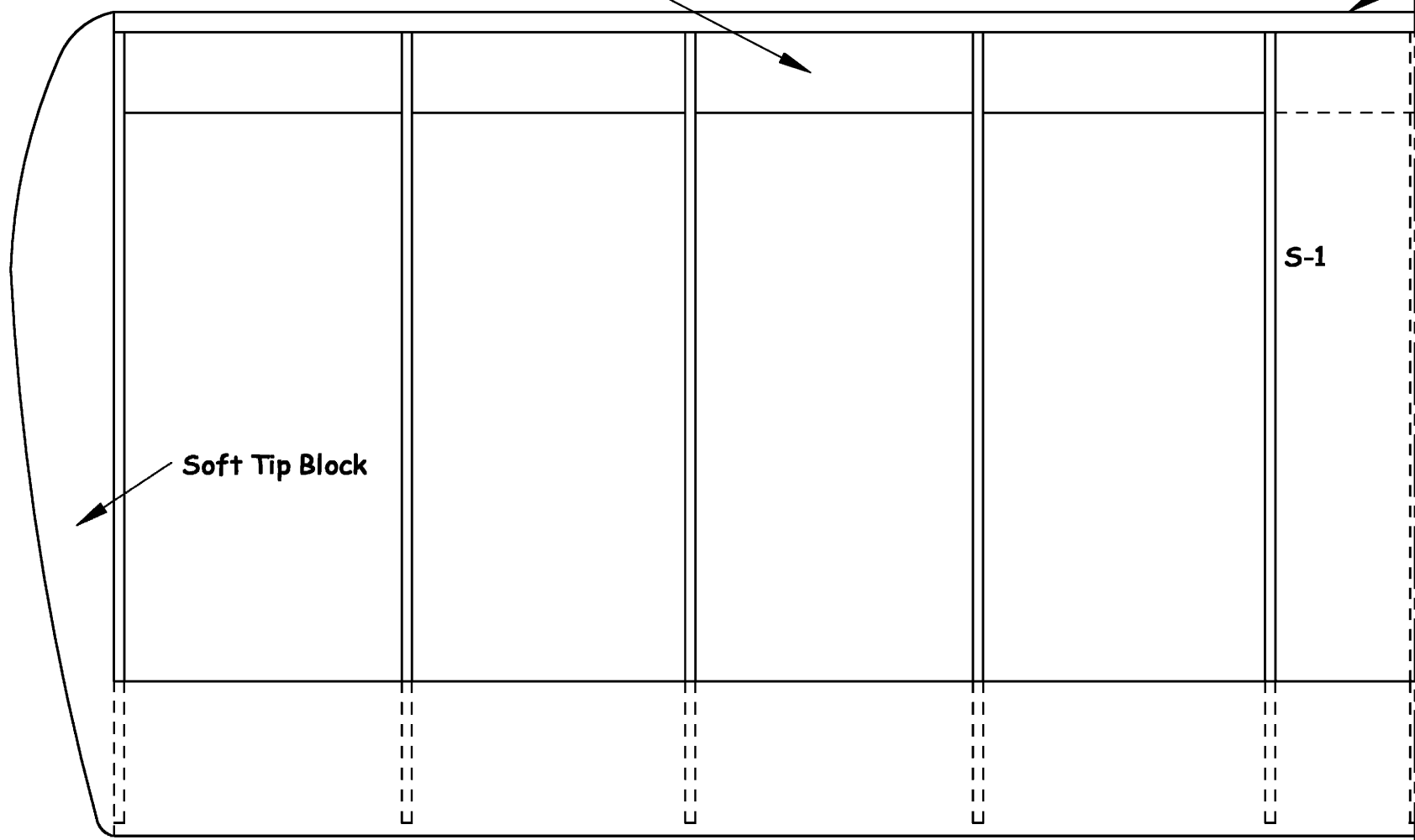
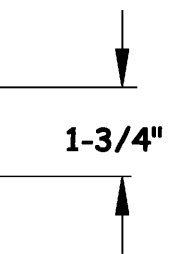
**S-2, 8 Req.**



**2 Each 1/16" Birch Ply  
Dihedral Joiners**

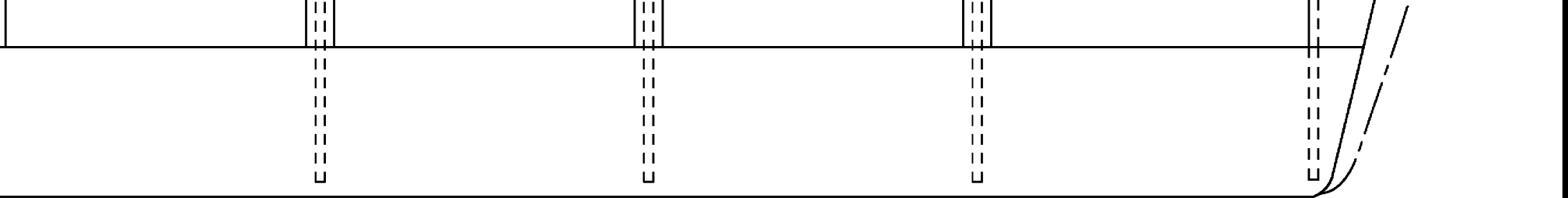


1/16"x1/2" Hard L.E. Spar

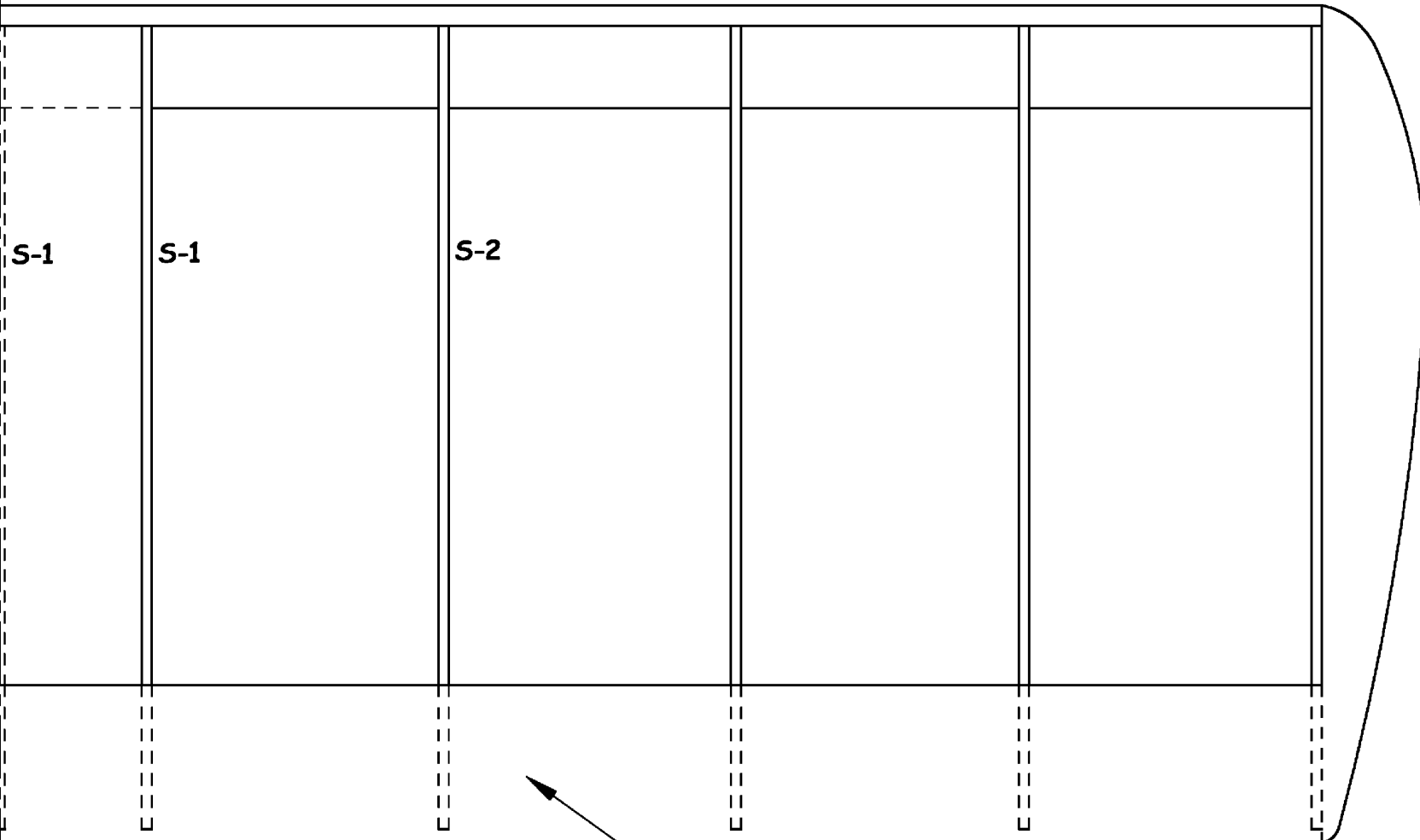


Soft Tip Block

S-1



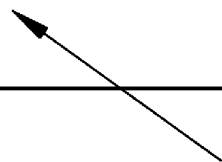
1/8" x 3/16" L.E.



S-1

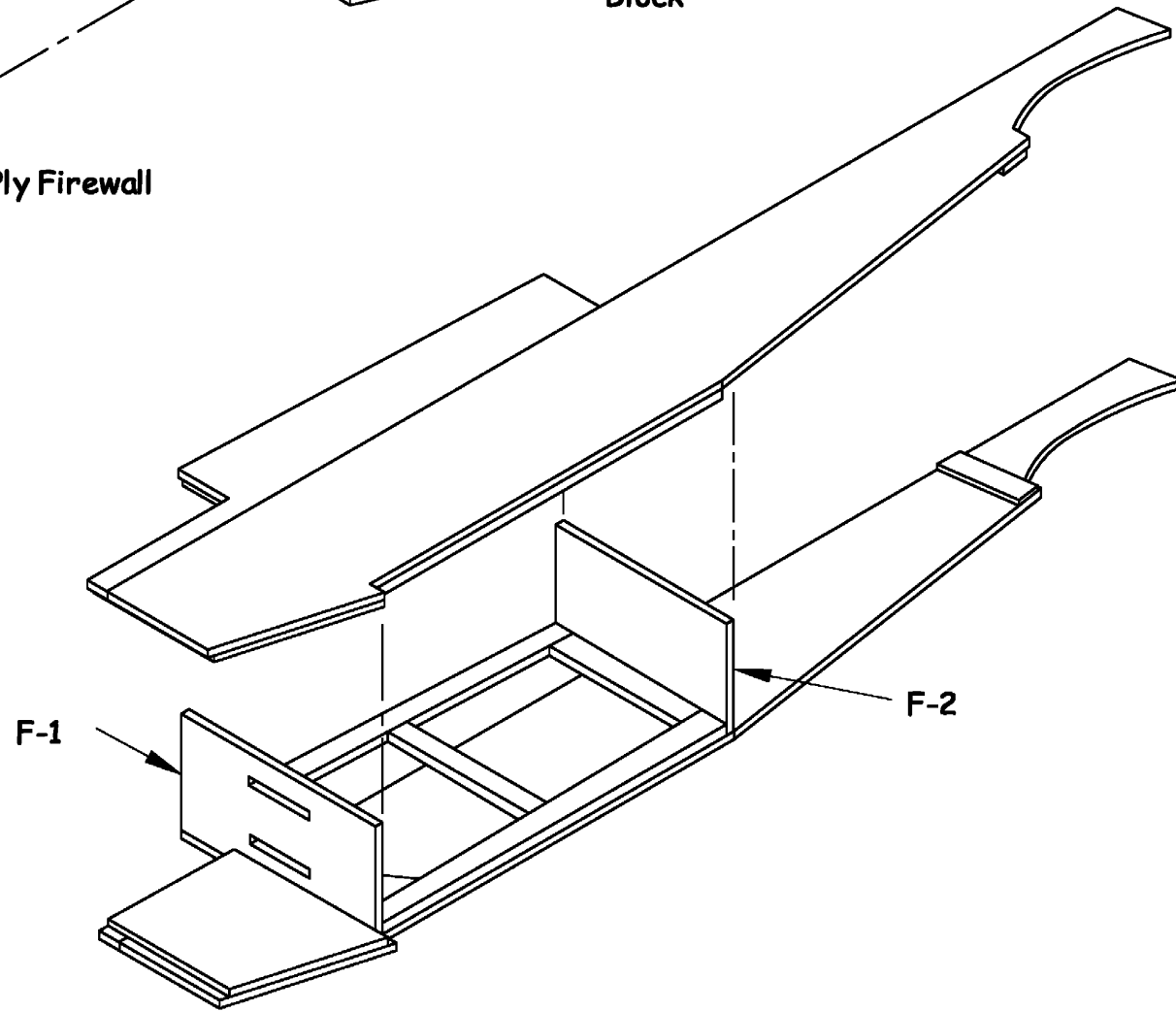
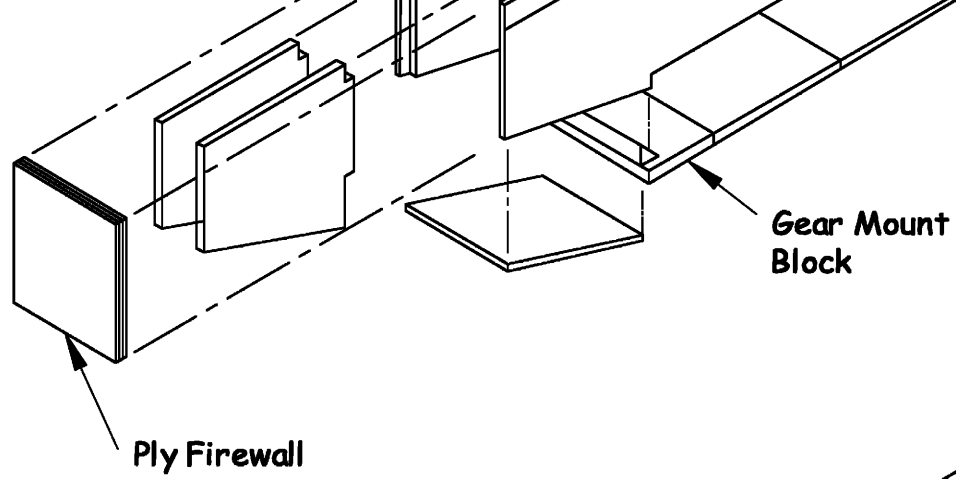
S-1

S-2



1/16" x 1" T.E.





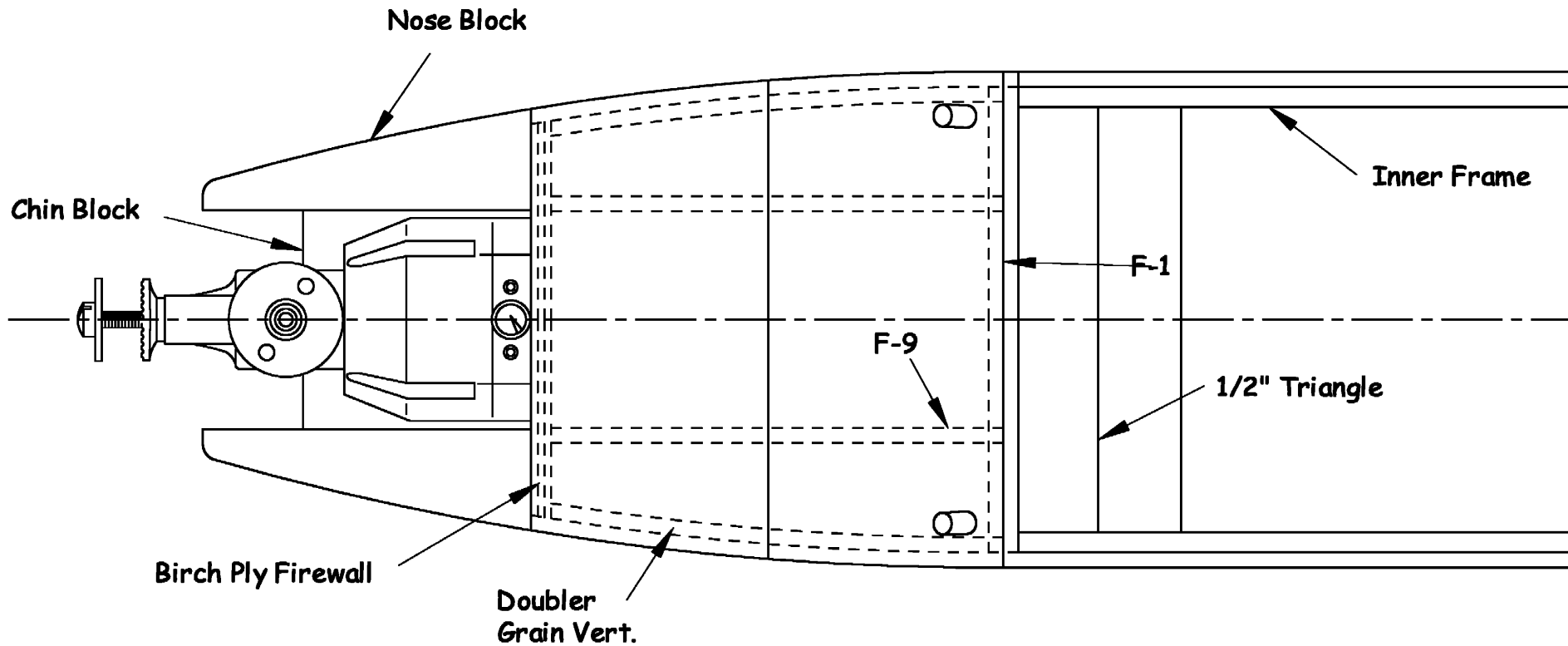
DESIGNED FOR BEGINNERS

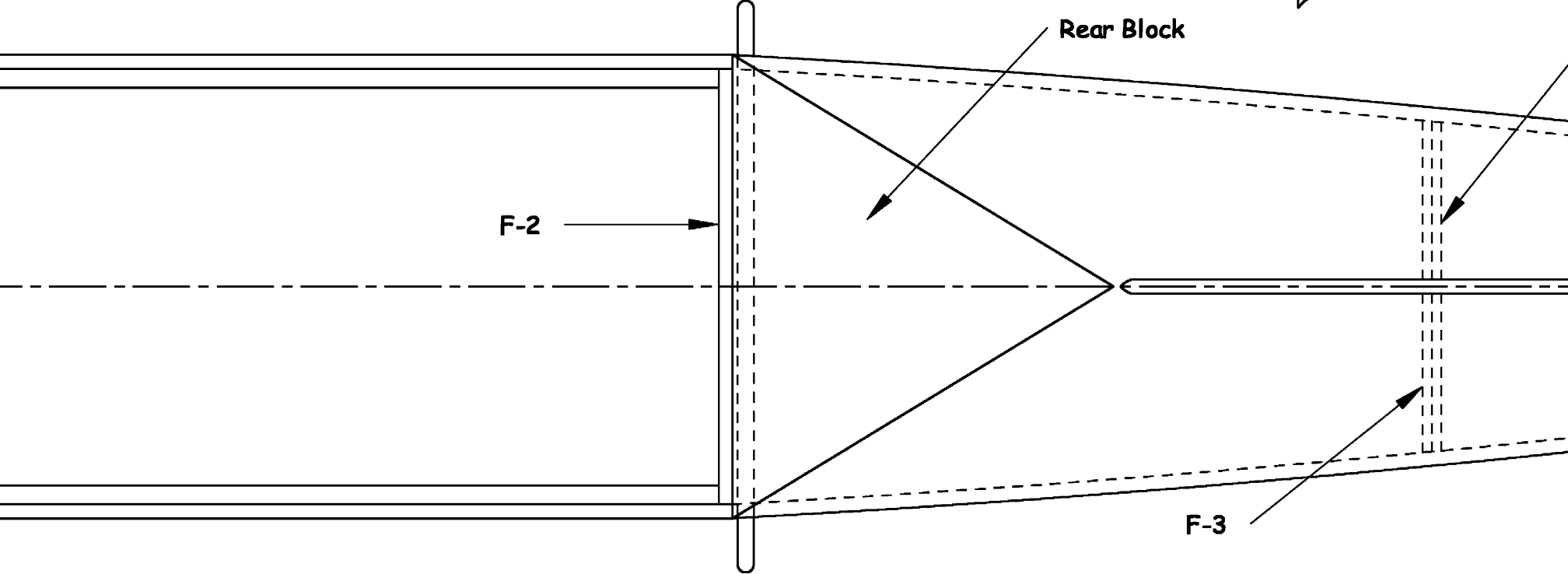
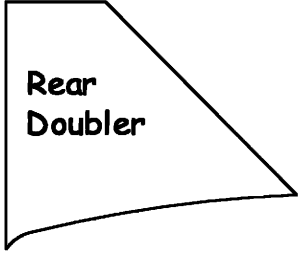
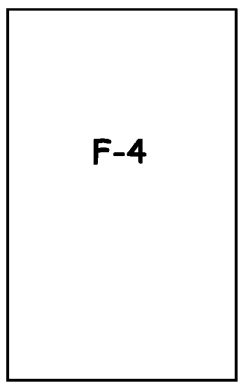
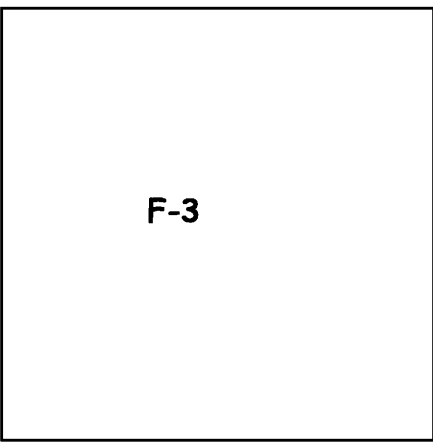
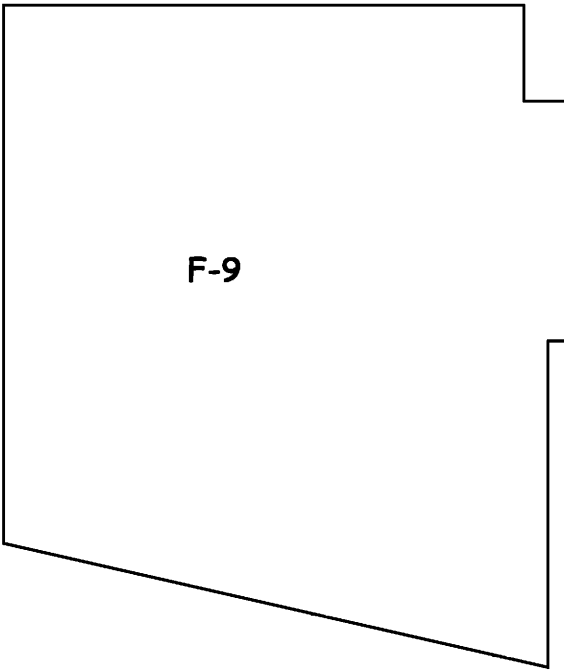
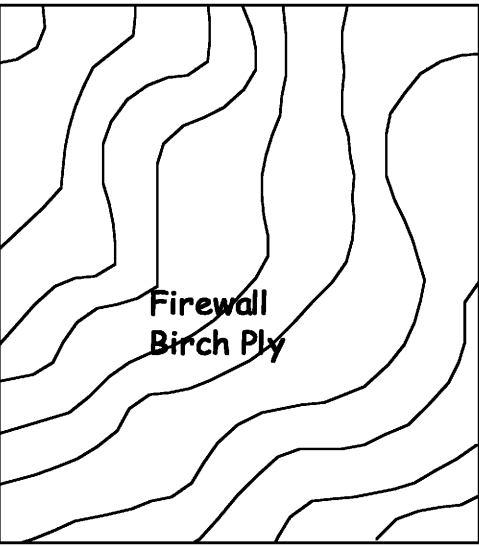
# LIL ESQUIRE

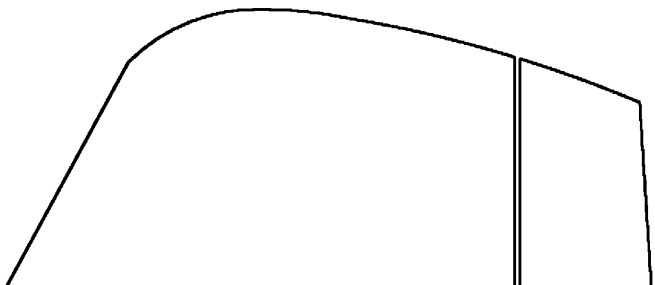
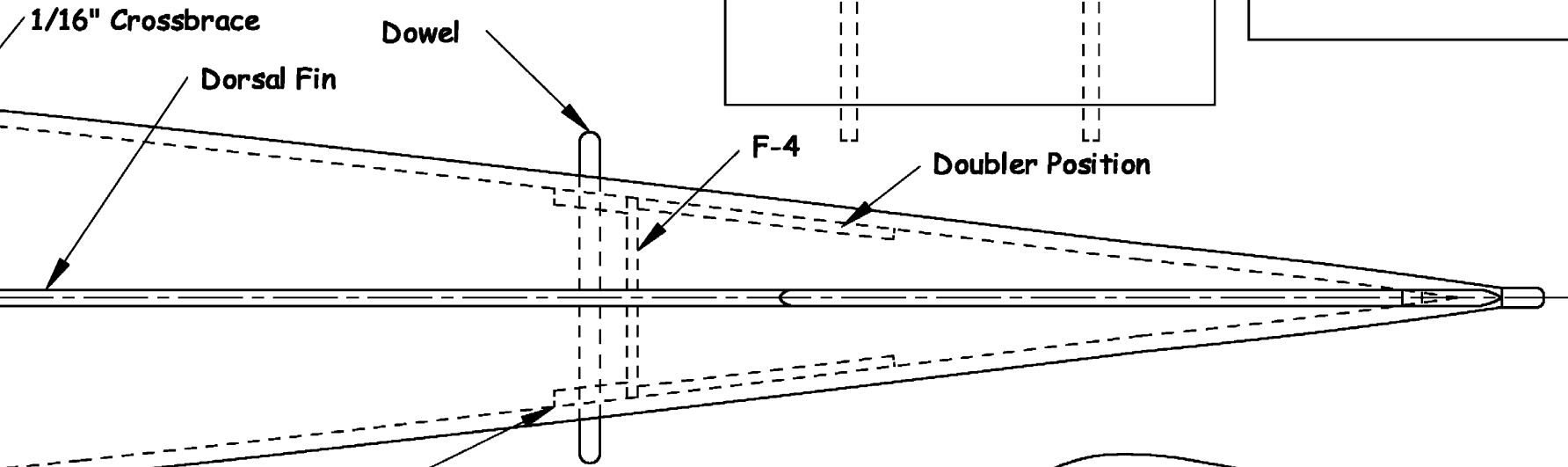
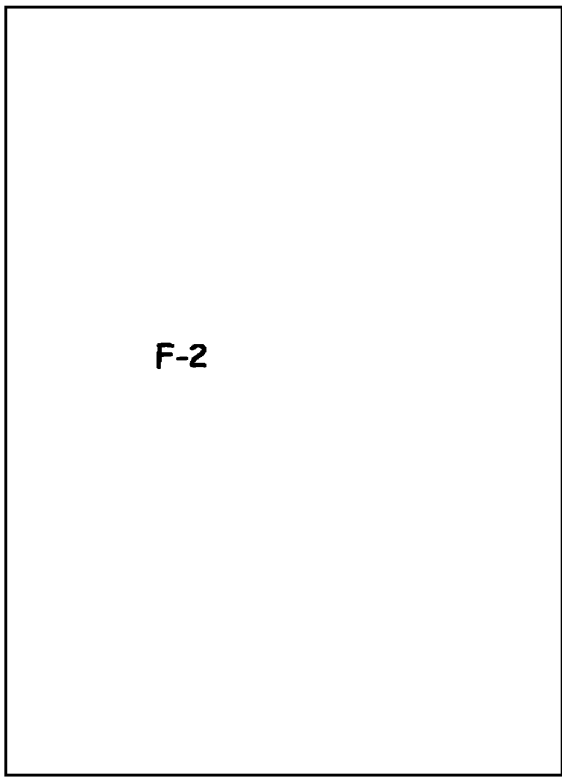
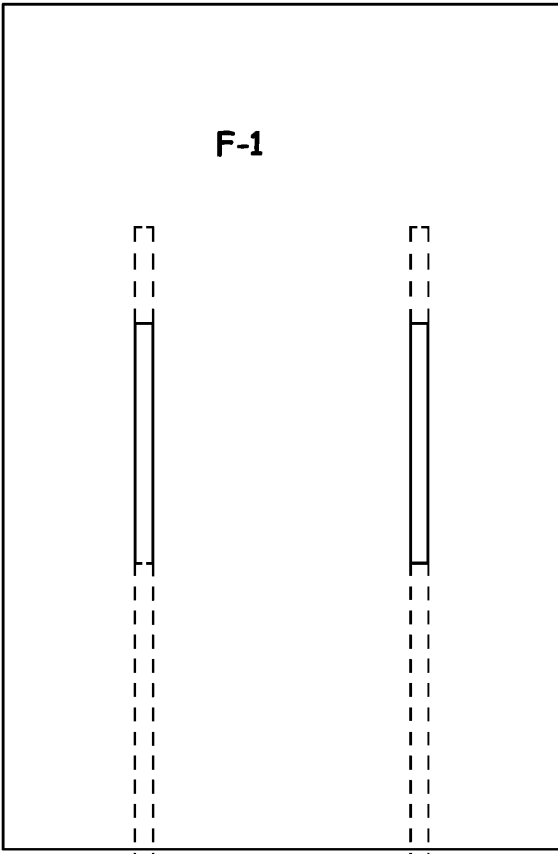
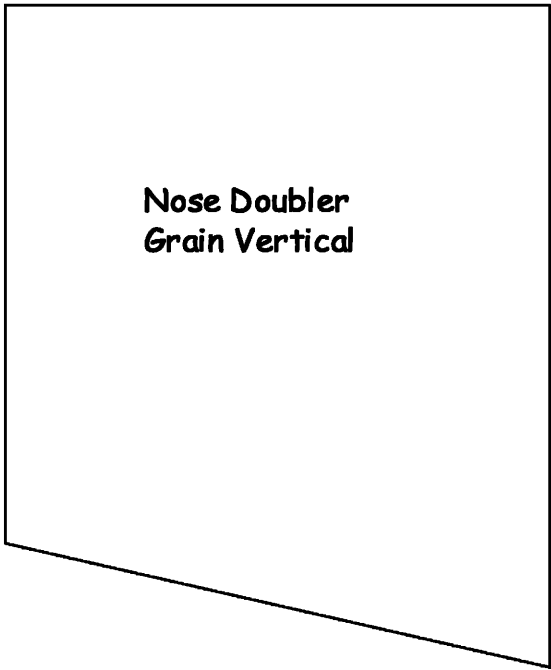
WING SPAN: 41" LENGTH: 28"

CAD by Dave Fritzke - August 2009

Checked by Gene Rock - August 2009







Gap For F-1

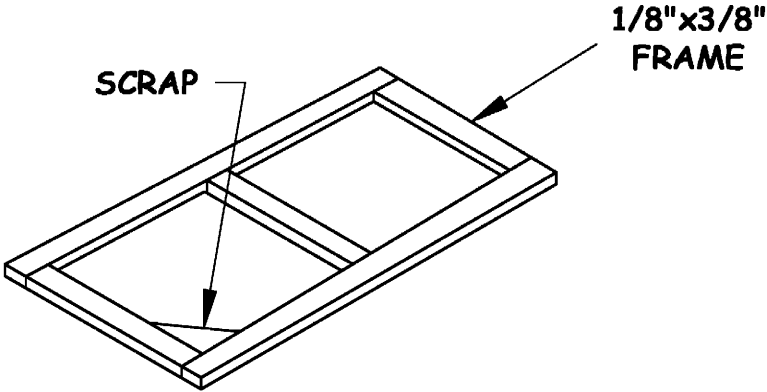
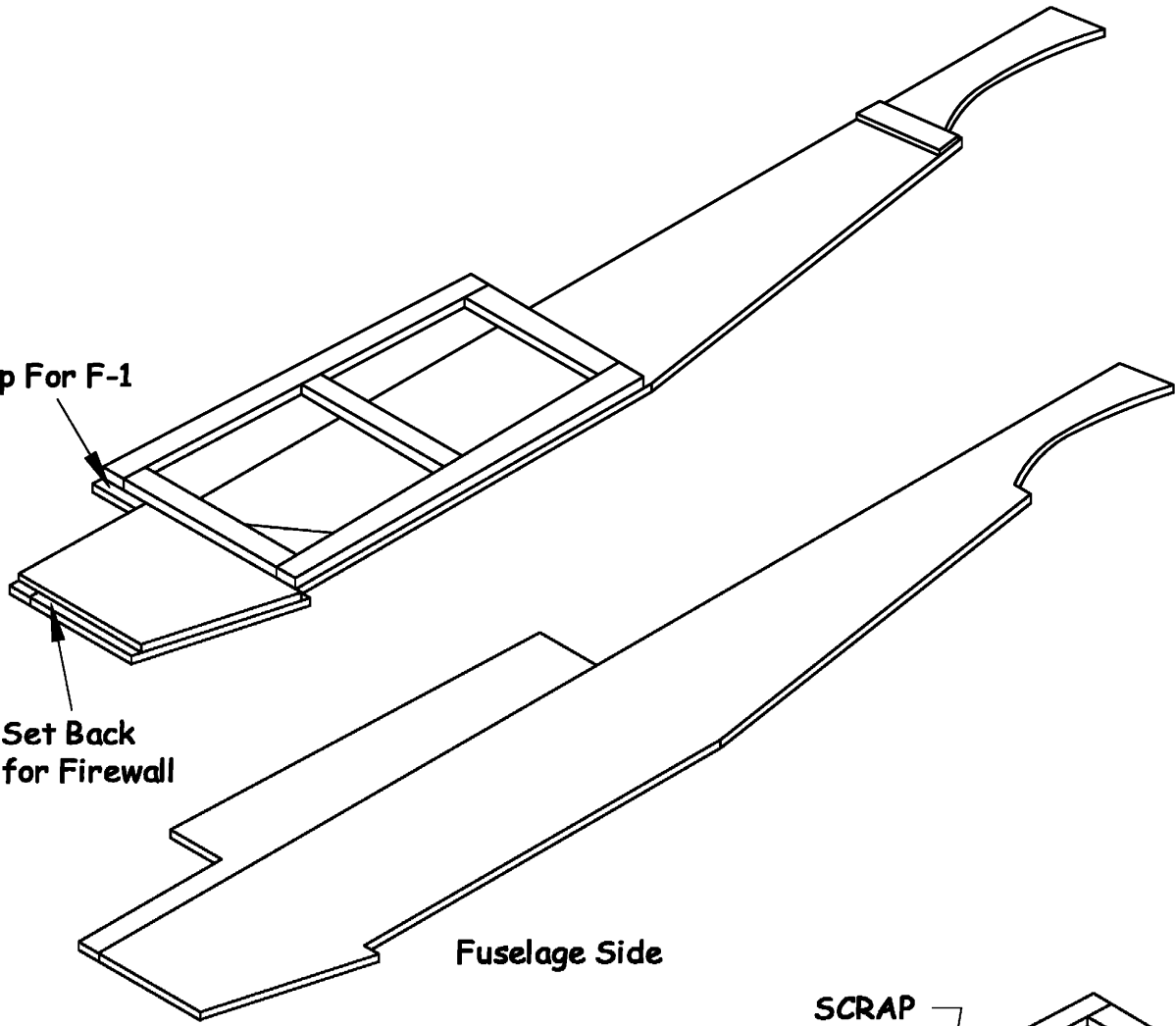
Set Back  
for Firewall

Fuselage Side

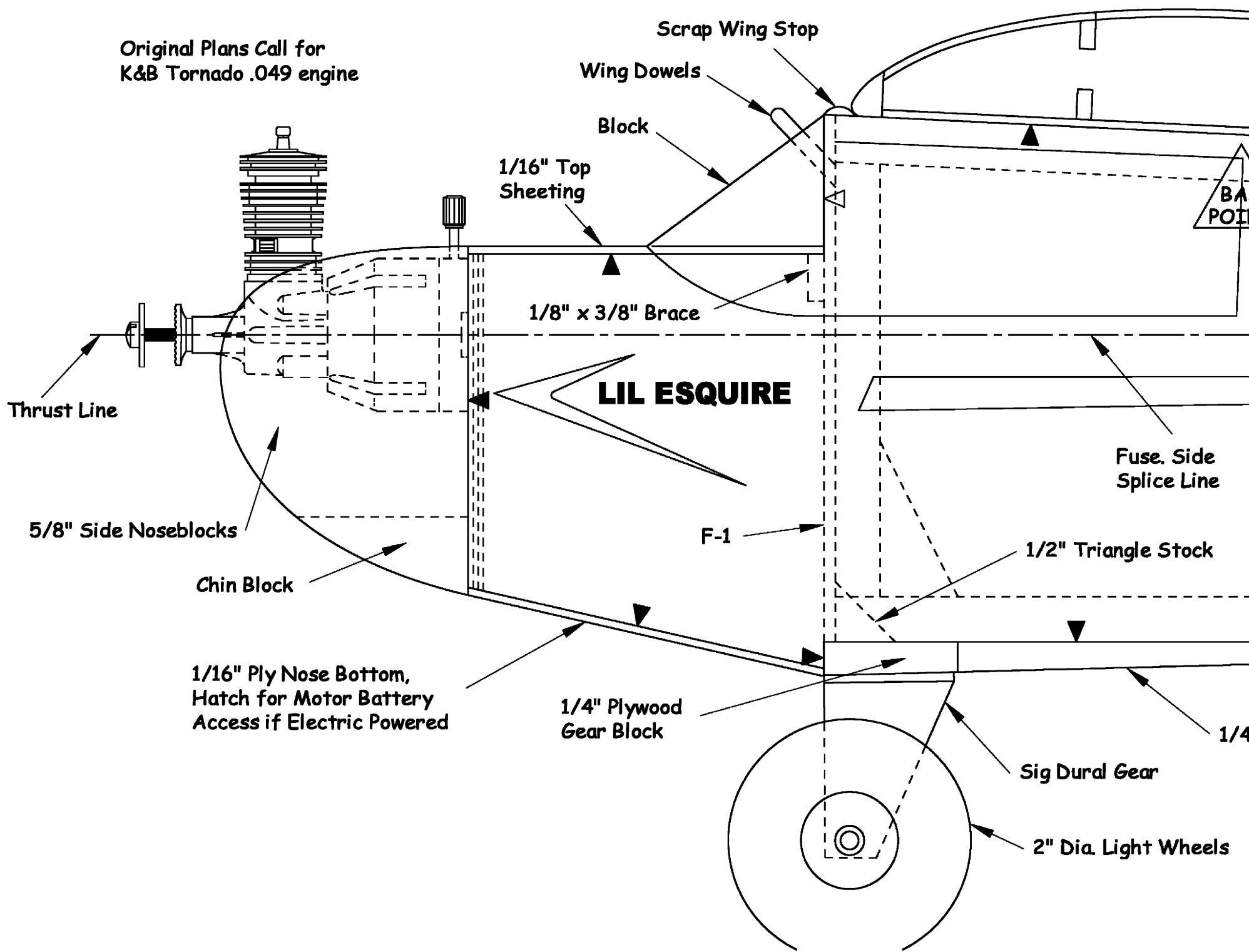
1/8"x3/8"  
FRAME

SCRAP

Fuselage Inner Frame



Original Plans Call for  
K&B Tornado .049 engine



Scrap Wing Stop

Wing Dowels

Block

1/16" Top  
Sheeting

1/8" x 3/8" Brace

**LIL ESQUIRE**

Thrust Line

5/8" Side Noseblocks

Chin Block

1/16" Ply Nose Bottom,  
Hatch for Motor Battery  
Access if Electric Powered

1/4" Plywood  
Gear Block

F-1

1/2" Triangle Stock

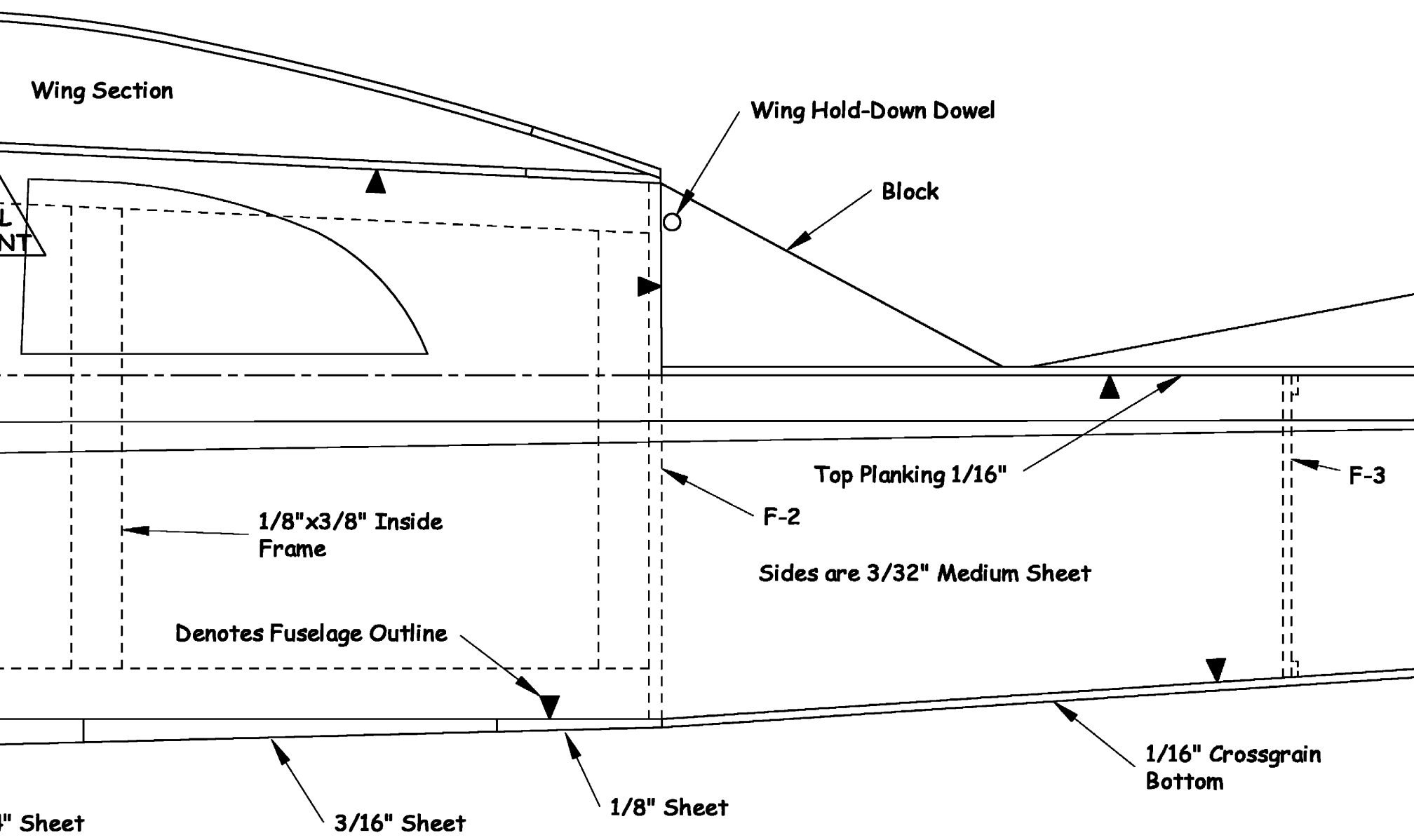
Fuse. Side  
Splice Line

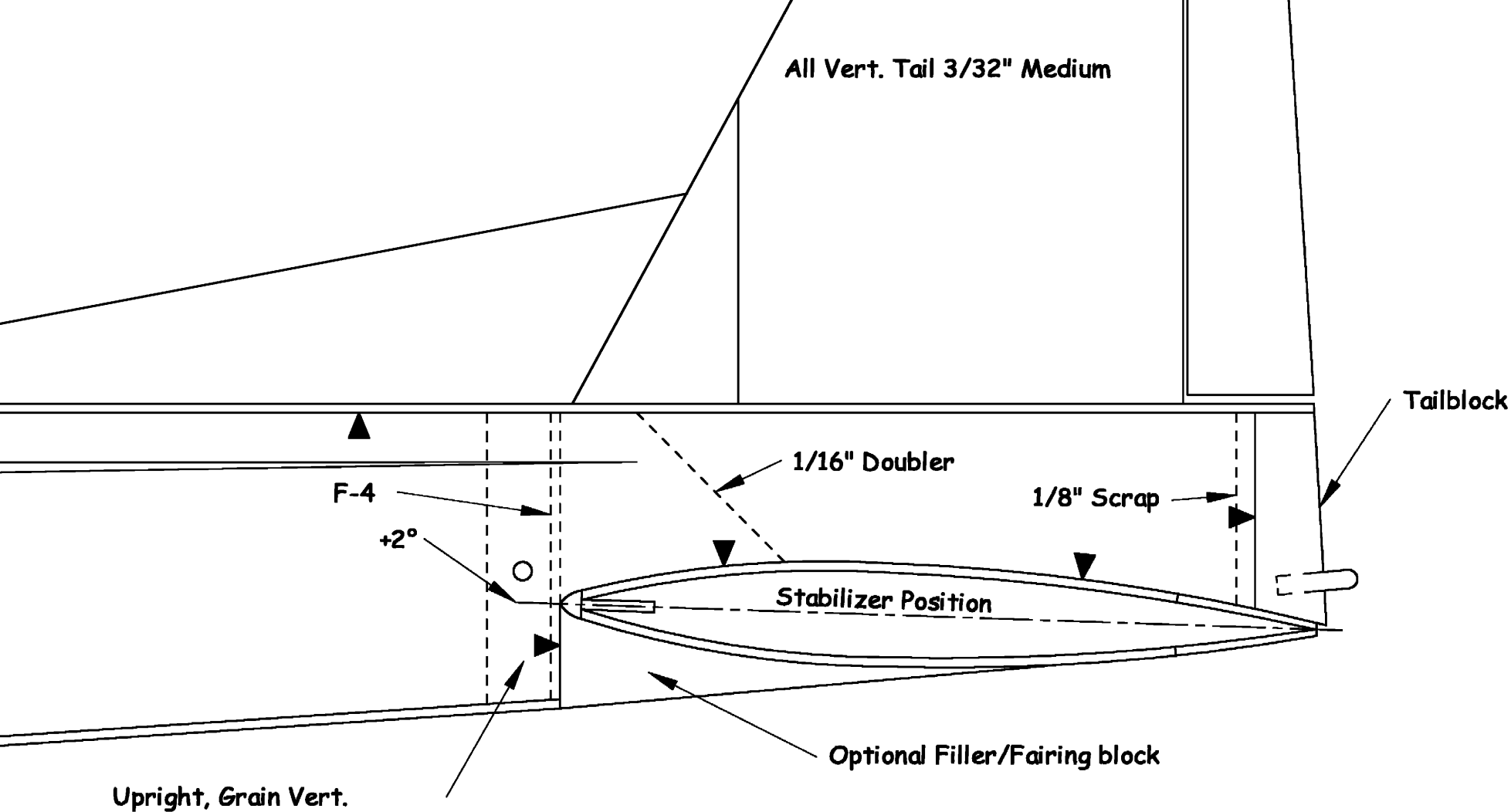
Sig Dural Gear

2" Dia. Light Wheels

1/4"

BA  
POINT





**MANUFACTURER'S NOTE:**

**The LIL ESQUIRE was designed for both the beginner and expert. We have combined ease of construction, minimum building time and excellent flying characteristics to bring you an R/C model that will perform well under all weather conditions. The Lil Esquire was designed with only one thought in mind - You the model builder.**